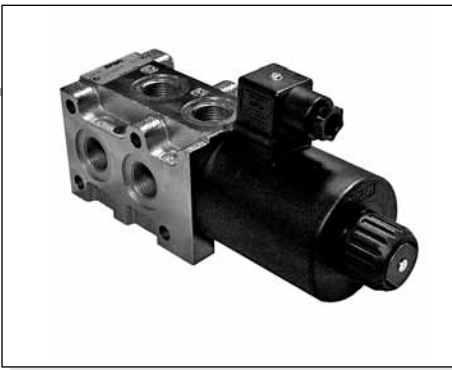


CDL.10.6... STACKABLE CIRCUIT SELECTOR VALVES



CDL.10.6...

"A16" DC COILS CH. I PAGE 68
CONNECTORS STANDARD CH. I PAGE 19

The stackable circuit selector valves, type CDL.10.6, allows one single drive of 6 users with 5 elements connected in series.

As they are moved from high performances solenoids they don't need the external drainage.

This valves can manage high hydraulic powers with a minimal pressure drop.

Max. pressure	250 bar
Max. flow	80 l/min
Overlap	negative
Hydraulic fluids	Mineral oils DIN 51524
Fluid viscosity	10 ÷ 500 mm ² /s
Fluid temperature	-25°C ÷ 75°C
Ambient temperature	-25°C ÷ 60°C
Max. contamination level	class 10 in accordance NAS with 1638 with filter β_{25}^{375} see "Overall dimension"
Weight	

ORDERING CODE

CDL	Stackable circuit selector valve
10	Size NG10
6	No. of way (single element)
W	Threaded connectors 1/2" BSP
I	Internal drainage
*	No. of elements: 1 / 2 / 3 / 4 / 5
*	Voltage (Tab. 1)
**	Variants (Tab. 2)
1	Serial No.

TAB.1 - A16 COIL

DC VOLTAGE **	
L	12V
M	24V
N	48V*
P	110V*
Z	102V*
X	205V*
W	Without DC coil

115Vac/50Hz
120Vac/60Hz
with rectifier

230Vac/50Hz
240Vac/60Hz
with rectifier

Voltage codes are not stamped on the plate, they are readable on the coils.

* Special voltage
** Technical data see page I • 68

TAB.2 - VARIANTS

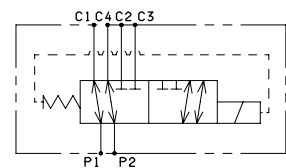
No variant (without connectors)	S1(*)
Viton	SV(*)
Emergency button	ES(*)
Rotary emergency button	P2(*)

Other variants available on request.

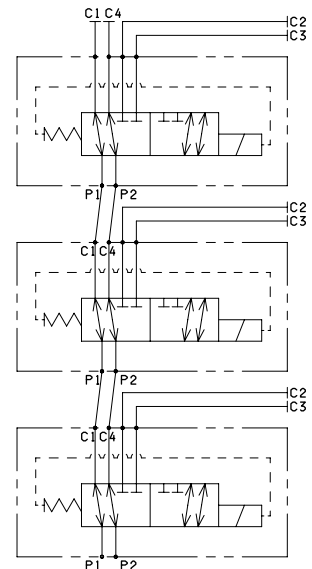
(*) Coils with Hirschmann connection supplied without connectors. The connectors can be ordered separately, ch. I page 19.

HYDRAULIC SYMBOLS

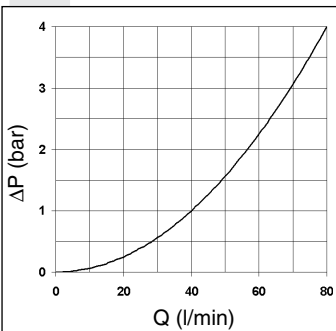
SINGLE ELEMENT



MULTISTATION CONNECTION



PRESSURE DROPS

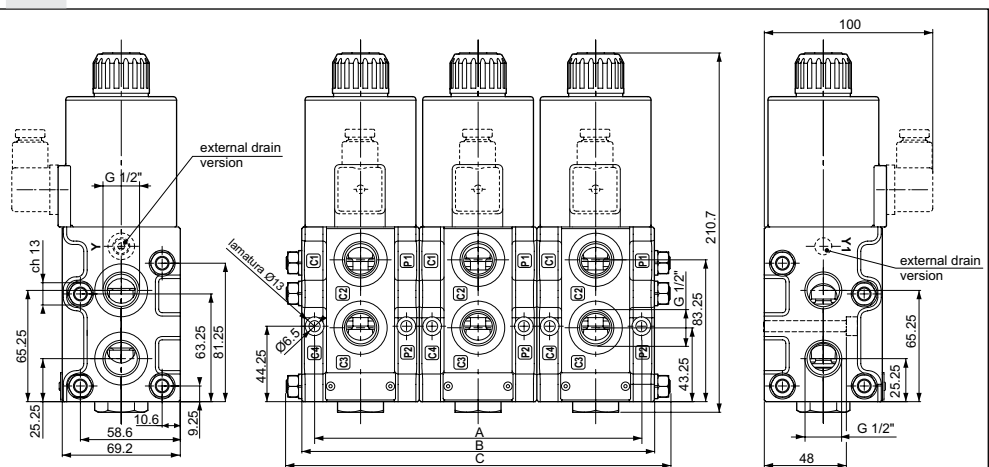


P1 → C1, P1 → C2,
P2 → C3 et P2 → C4

The fluid used is a mineral oil with a viscosity of 46 mm²/s at 40°C; the tests have been carried out at a fluid temperature of 40°C.

Fixing screws UNI 5931 M6x60 with material specifications min. 8.8
Tightening torque for studs 8 Nm / 0.8 Kgm
Tightening torque for rods 20 Nm / 2 Kgm

OVERALL DIMENSIONS



No. of elements	No. of way	Length (mm)			Weight (Kg)	Kit spare part code* (rods and studs)
		A	B	C		
1	06	54	69	-	4,5	/
2	08	123	138	160	9,3	V89.56.0001
3	10	192	207	226	14	V89.56.0002
4	12	261	276	296	18,5	V89.56.0003
5	14	330	345	365	23,3	V89.56.0004

(*) For multiple composition rods and studs are available.